

FLOYD ABRAMS COMPANY

Member - Roof Consultants Institute

Waterproofing
Roof Decks
Roofing

Post Office Box 6136
Columbia, SC 29260-6136
803-343-1272

ADDENDUM NO. 1 November 9, 2012

RE: Indefinite Delivery of Roofing Contracting Services
(1600 Hampton Street)
Columbia, South Carolina
University of South Carolina
State Project No: H27-D170-CA
FAC No. 12.0103

FROM: Floyd Abrams Company
Post Office Box 6136
Columbia, South Carolina 29260-6136

TO:

Mr. Dana Neville, Aqua Seal Mfg & Roofing
Mr. Kenneth Fennell, CE Bourne & Co.
Mr. Bryan Langley, Capitol Construction & Grading
Mr. Johnny Atkins, Fort Roofing & Sheet Metal
Mr. Swain Miles, Roofco, Inc.
Mr. Wyman Windham, Watts & Associates
Roofing, Inc.
Mr. Scott Royster, Watts & Associates Roofing, Inc.
Mr. John A. Gann, Coastal Commercial Roofing
Mr. B. D. Yarborough, Southern Roofing Services
Mr. Roger Kirby, AAR of NC
Mr. Jim Haltiwanger, I & E Specialties
Mr. Jamie Gamboa, I & E Specialties

Mr. Dan Jarrat, J. A. Piper Roofing
Mr. Richard Kearse, ABC Supply Co.
Mr. Thadd Mays, Mays Contracting
Mr. Dale Branham, USC
Ms. Juaquana Brookins, USC
Ms. Aimee B. Rish, USC
Mr. Ty Russell, USC
Mr. Troy Nelson, USC
Mr. Floyd Abrams, Floyd Abrams Co.
Mr. Tad Abrams, Floyd Abrams Co.

This Addendum forms a part of the Contract Documents and modifies the original Bidding Documents dated September, 2012. Acknowledge receipt of this Addendum in the space provided (page BF-1 of the SE-330) on the Bid Form. Failure to do so may subject Bidder to being non-responsive.

This Addendum consists of two (2) pages.

No other Addenda have been issued to date.

This project is a USC project and its procurement and construction are governed by the Office of the State Engineer and their requirements contained in the Manual for Planning and Execution of State Permanent Improvements – Parts II (2011 edition) and may also be found and reviewed at:

<http://www.mmo.sc.gov/PS/agency/PS-ose-manual.phtm>

TECHNICAL CORRECTIONS TO BIDDING DOCUMENTS

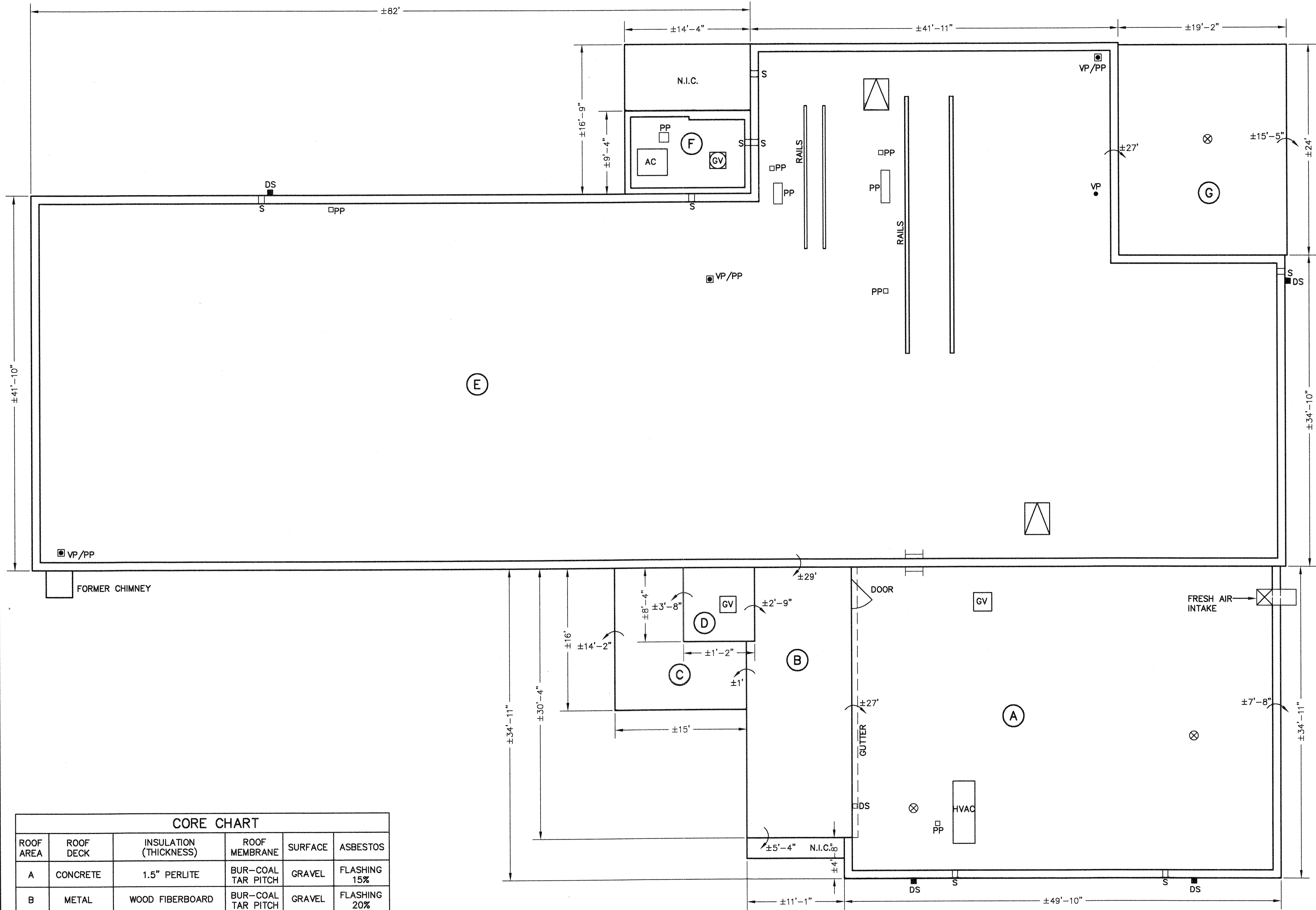
Replace existing plan sheets R1, R2, R3, R4 as follows:

1. Addendum 1 Plan Sheet, 11/08/12, R1 of 4 - EXISTING ROOF PLAN
2. Addendum 1 Plan Sheet, 11/08/12, R2 of 4 - NEW ROOF PLAN
3. Addendum 1 Plan Sheet, 11/08/12, R3 of 4 - SECTIONS AND DETAILS
4. Addendum 1 Plan Sheet, 11/08/12, R4 of 4 - SECTIONS AND DETAILS

END OF ADDENDUM NO. 1

LEGEND

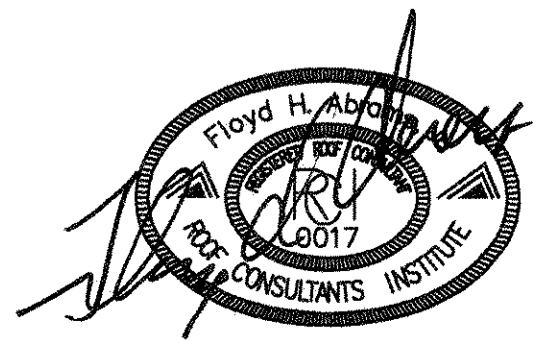
- ⊗ ROOF DRAIN
- △ ROOF HATCH
- GV GRAVITY VENTILATOR
- AC AC/HVAC
- PP PITCH PAN
- VP/PP VENT PIPE IN PITCH PAN
- ±27' CHANGE IN ROOF ELEVATION (DOWN)
- S SCUPPER
- DS DOWNSPOUT
- ┆ LADDER



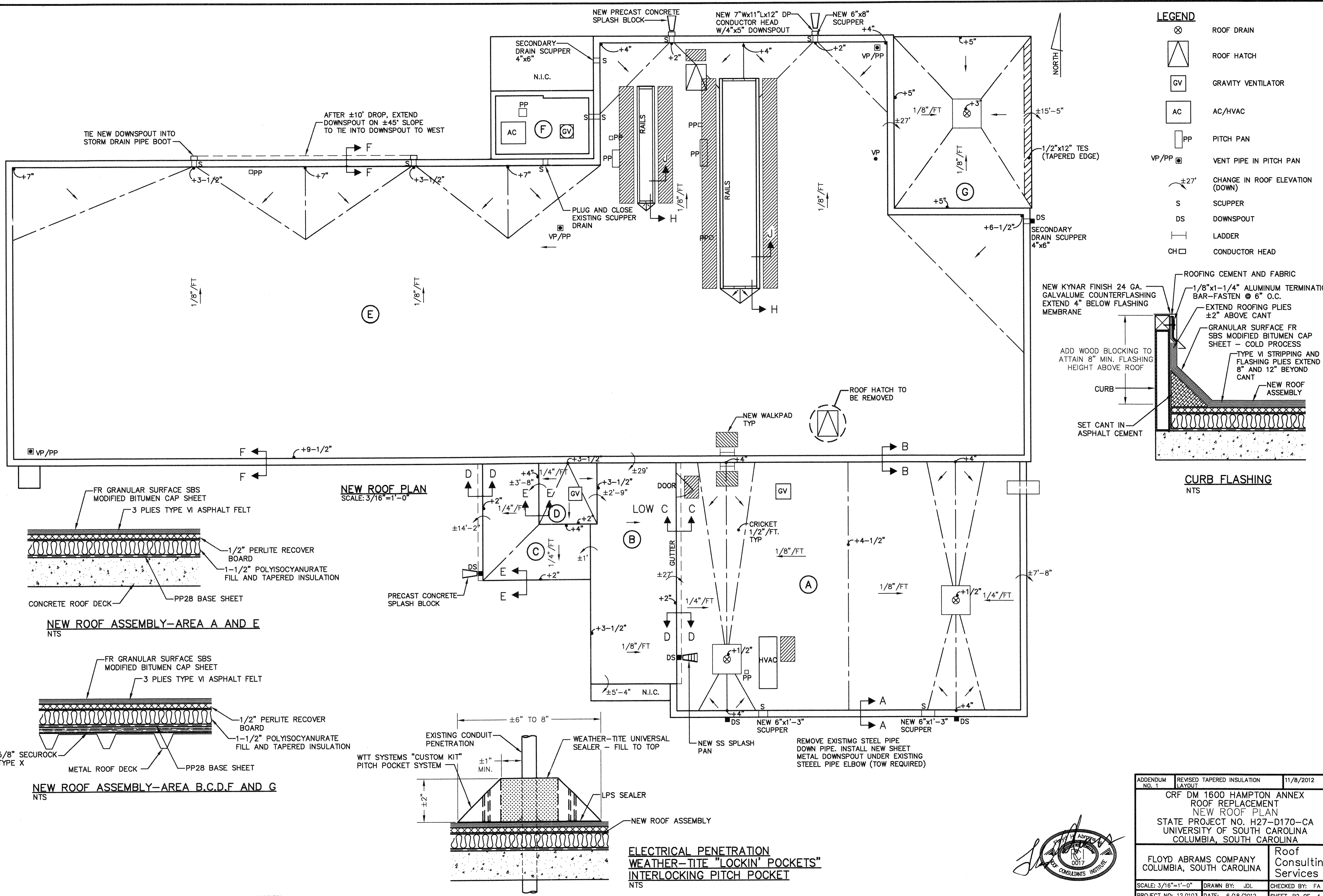
EXISTING ROOF PLAN
SCALE: 3/16"=1'-0"

CORE CHART					
ROOF AREA	ROOF DECK	INSULATION (THICKNESS)	ROOF MEMBRANE	SURFACE	ASBESTOS
A	CONCRETE	1.5" PERLITE	BUR-COAL TAR PITCH	GRAVEL	FLASHING 15%
B	METAL	WOOD FIBERBOARD	BUR-COAL TAR PITCH	GRAVEL	FLASHING 20%
C	METAL	3" PERLITE	BUR-COAL TAR PITCH	GRAVEL	FLASHING 2%
D	METAL	PERLITE POLYISOCYANURATE 3"	BUR-COAL TAR PITCH	GRAVEL	FLASHING 2%
E	CONCRETE	1.5" FIBERGLASS	BUR-COAL TAR PITCH	BUR MODIFIED BITUMEN	FLASHING 25%
F	METAL	1.5" POLYISOCYANURATE	EPDM	ROCK BALLAST	N/A
G	METAL	PERLITE POLYISOCYANURATE 3.5"	BUR-COAL TAR PITCH	GRAVEL	FLASHING N/D

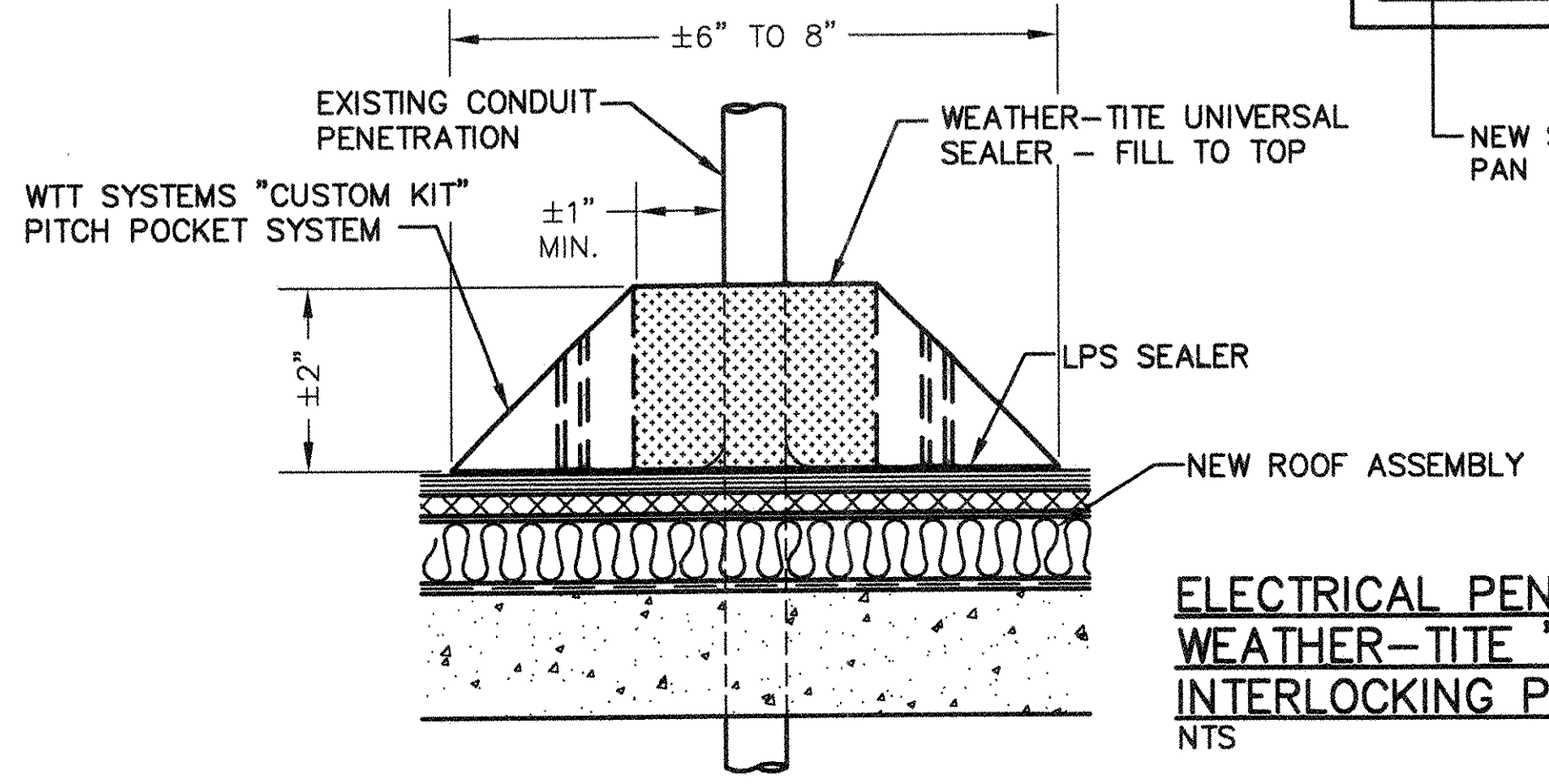
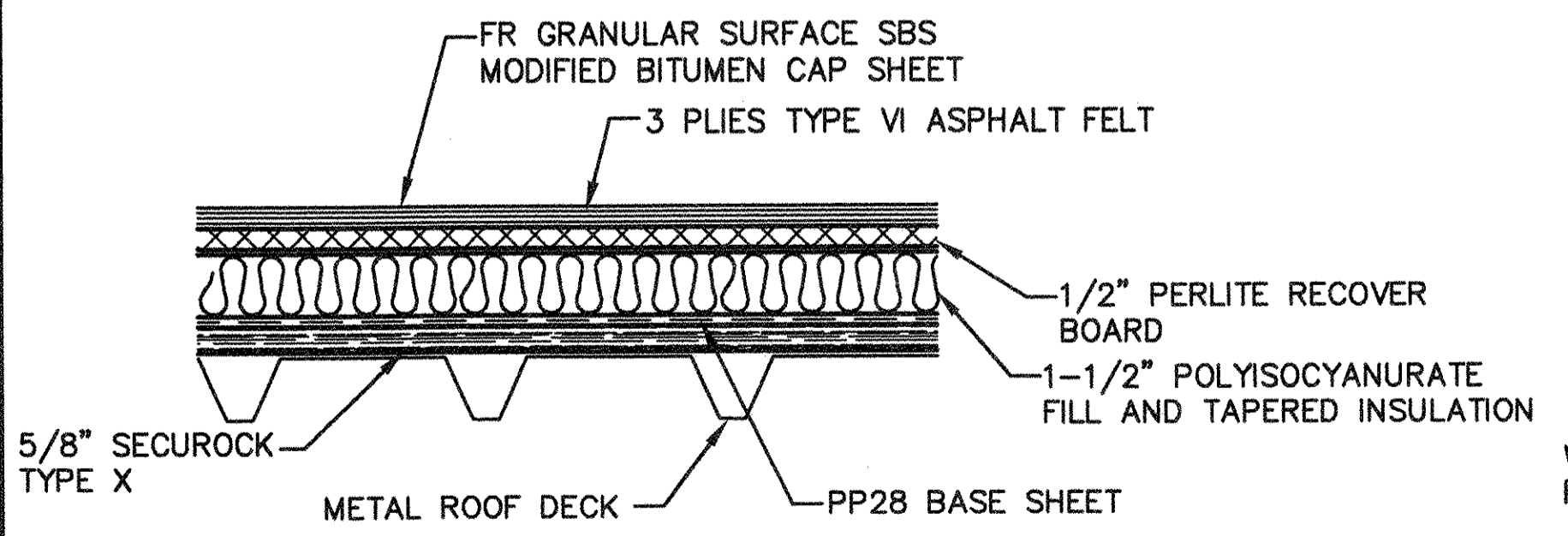
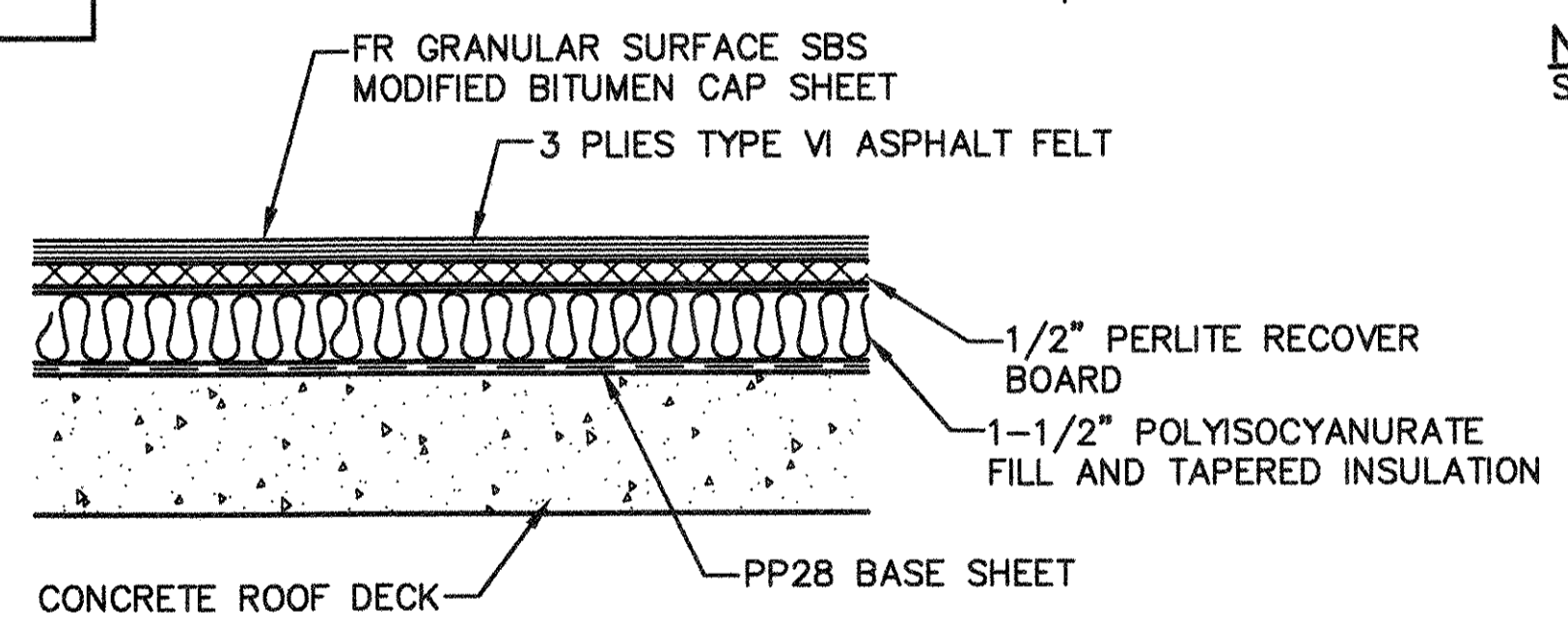
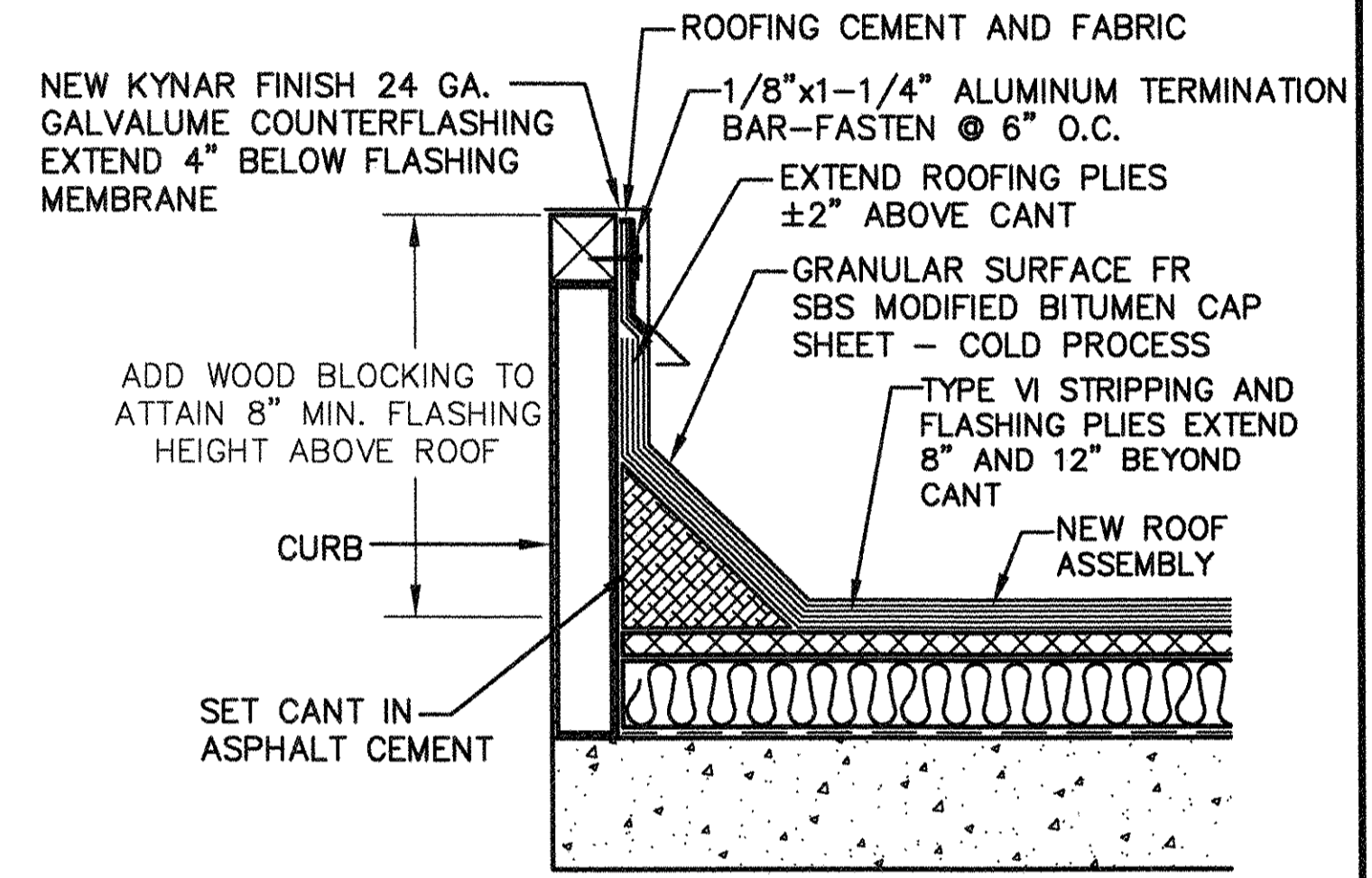
N/D NOT DETECTED



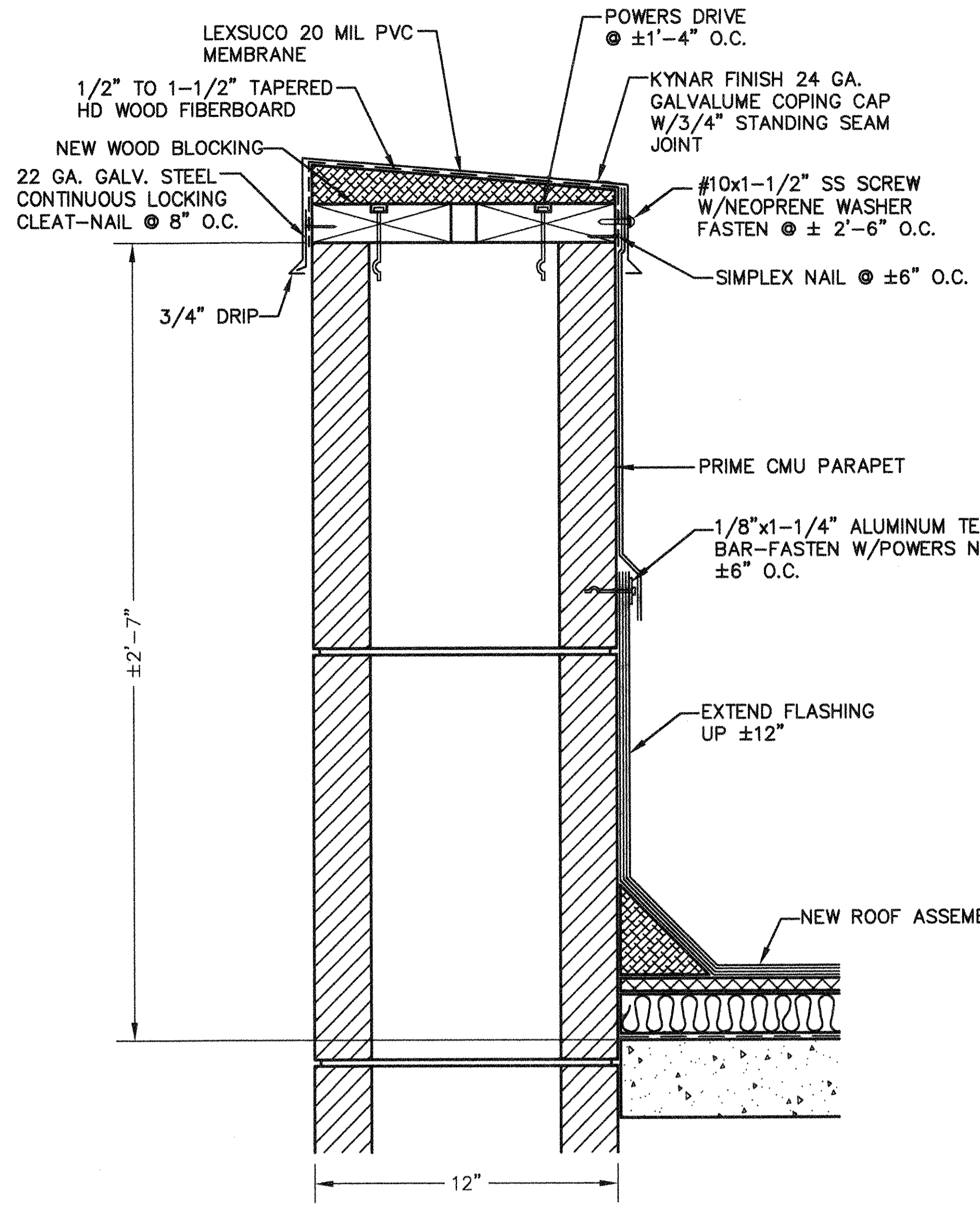
ADDENDUM No. 1	CONTRACT PLAN SHEET	11/8/2012
CR4F DM 1600 HAMPTON ANNEX ROOF REPLACEMENT EXISTING ROOF PLAN STATE PROJECT NO. H27-D170-CA UNIVERSITY OF SOUTH CAROLINA COLUMBIA, SOUTH CAROLINA		
FLOYD ABRAMS COMPANY COLUMBIA, SOUTH CAROLINA		Roof Consulting Services
SCALE: 3/16"=1'-0"	DRAWN BY: JDL	CHECKED BY: FA
PROJECT NO: 12.0103	DATE: 6/18/2012	SHEET R1 OF 4



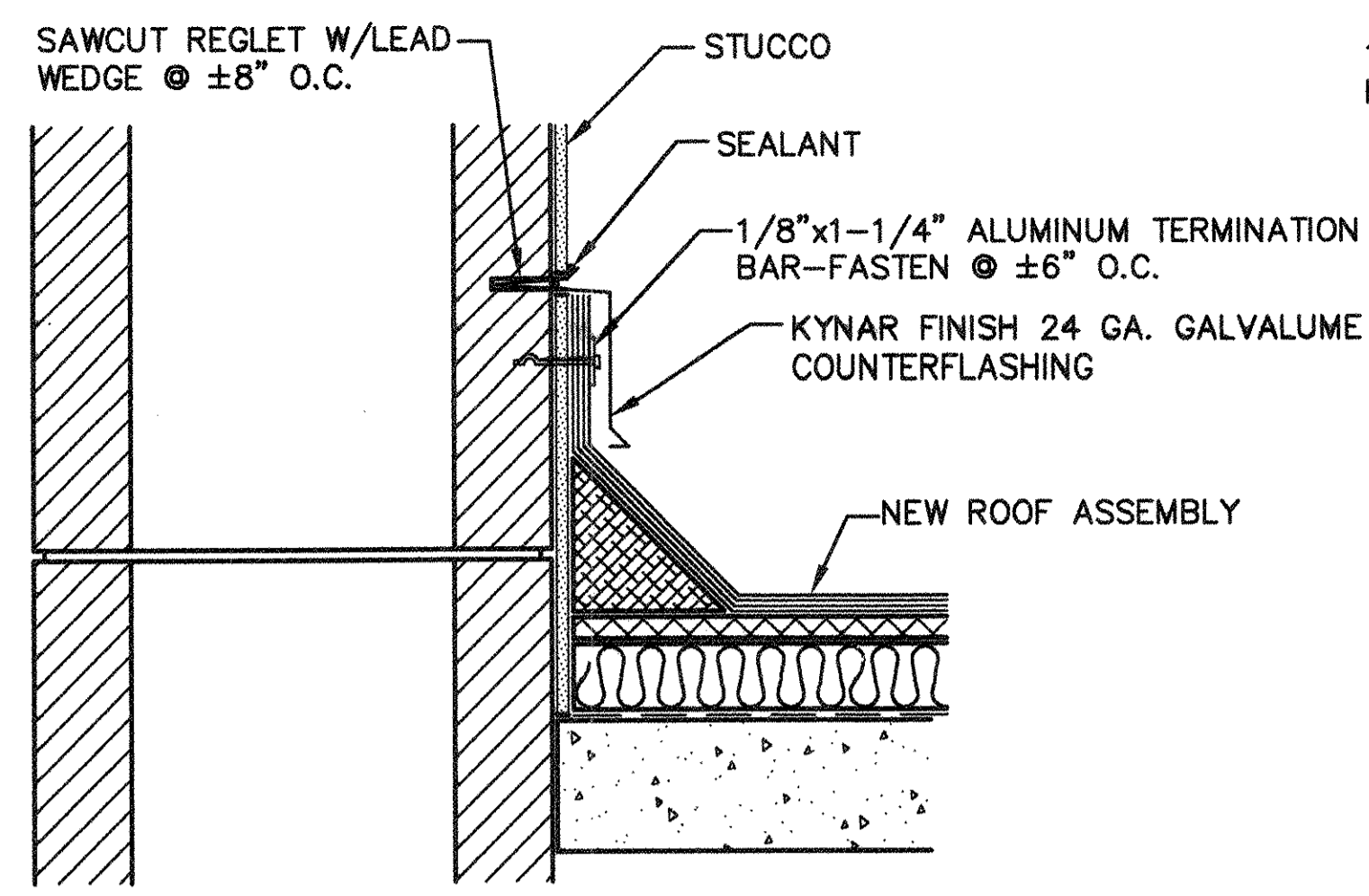
- LEGEND**
- ⊗ ROOF DRAIN
 - △ ROOF HATCH
 - GV GRAVITY VENTILATOR
 - AC AC/HVAC
 - PP PITCH PAN
 - VP/PP VENT PIPE IN PITCH PAN
 - ±27' CHANGE IN ROOF ELEVATION (DOWN)
 - S SCUPPER
 - DS DOWNSPOUT
 - L LADDER
 - CH CONDUCTOR HEAD



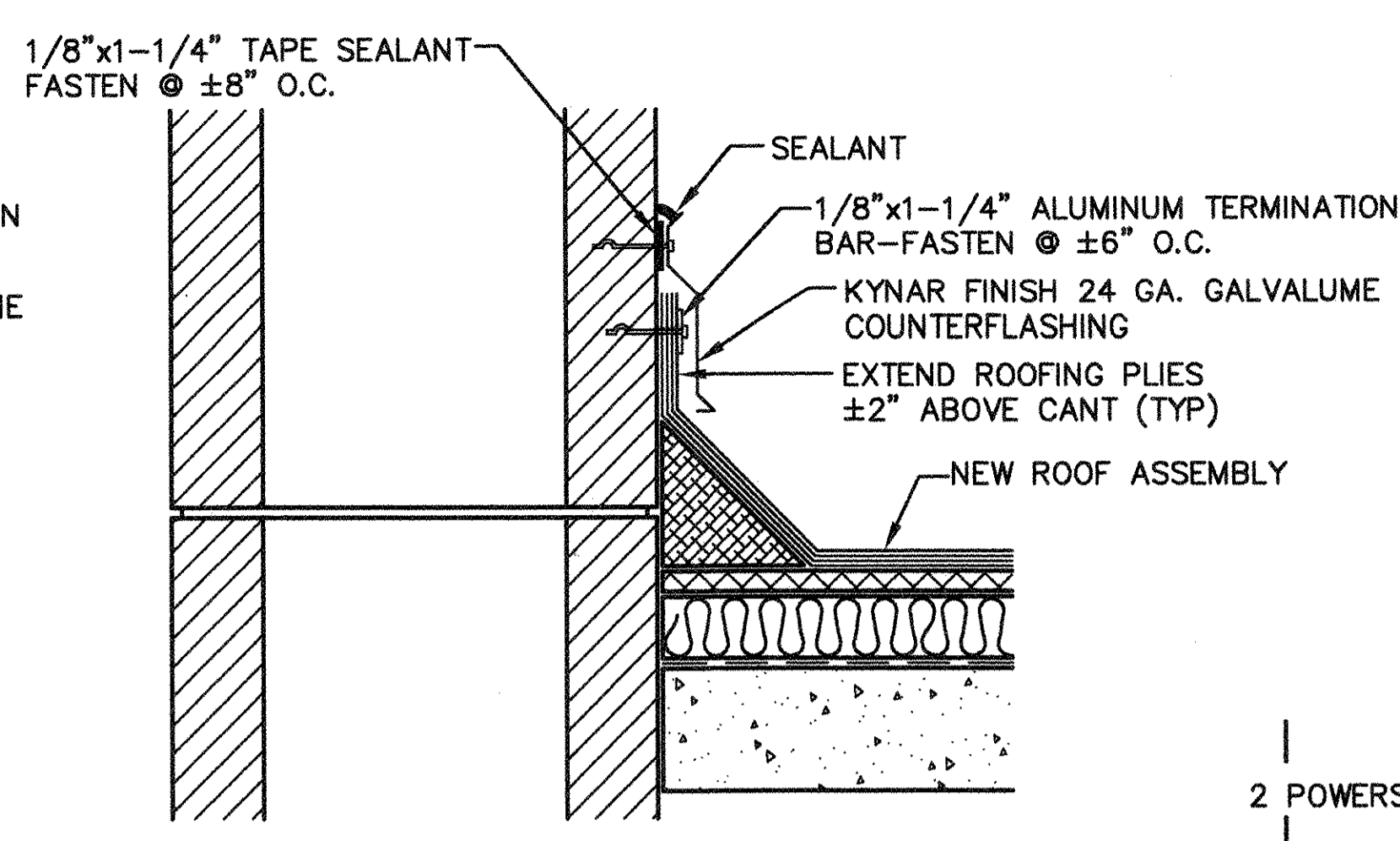
ADDENDUM NO. 1	REVISED TAPERED INSULATION LAYOUT	11/8/2012
CRF DM 1600 HAMPTON ANNEX ROOF REPLACEMENT NEW ROOF PLAN STATE PROJECT NO. H27-D170-CA UNIVERSITY OF SOUTH CAROLINA COLUMBIA, SOUTH CAROLINA		
FLOYD ABRAMS COMPANY COLUMBIA, SOUTH CAROLINA		Roof Consulting Services
SCALE: 3/16"=1'-0"	DRAWN BY: JDL	CHECKED BY: FA
PROJECT NO: 12.0103	DATE: 6/18/2012	SHEET R2 OF 4



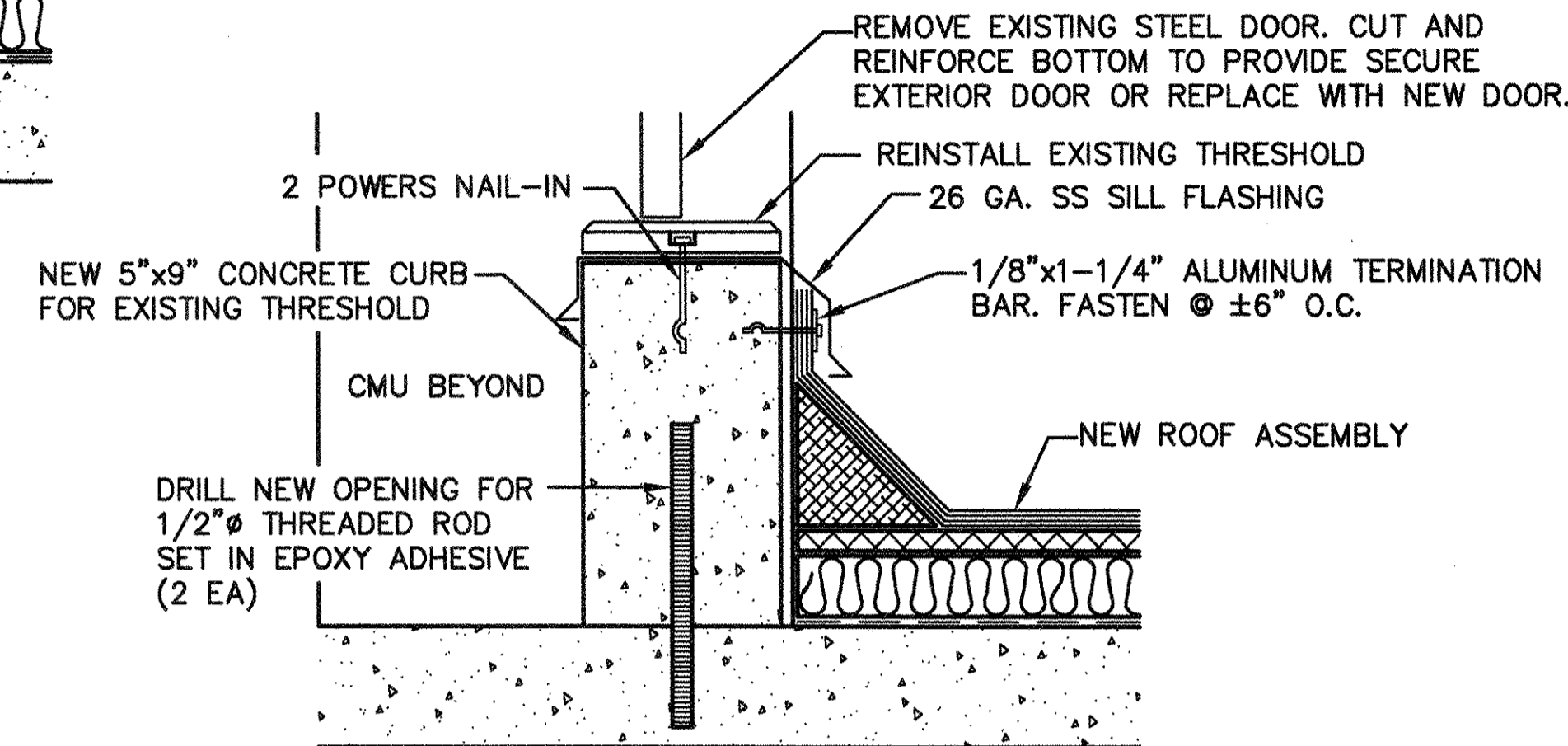
SECTION A-A
NTS



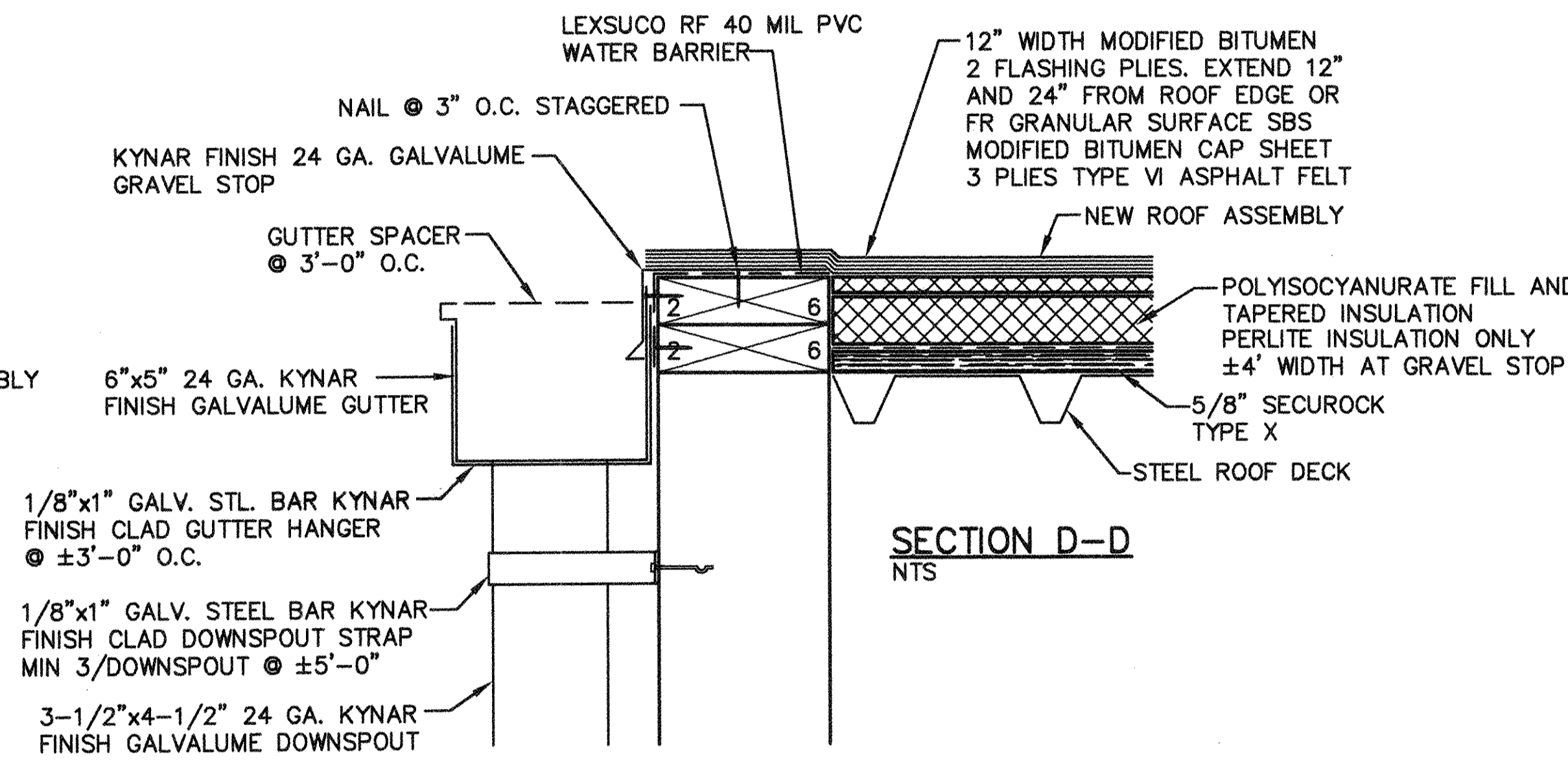
SECTION B-B
NTS



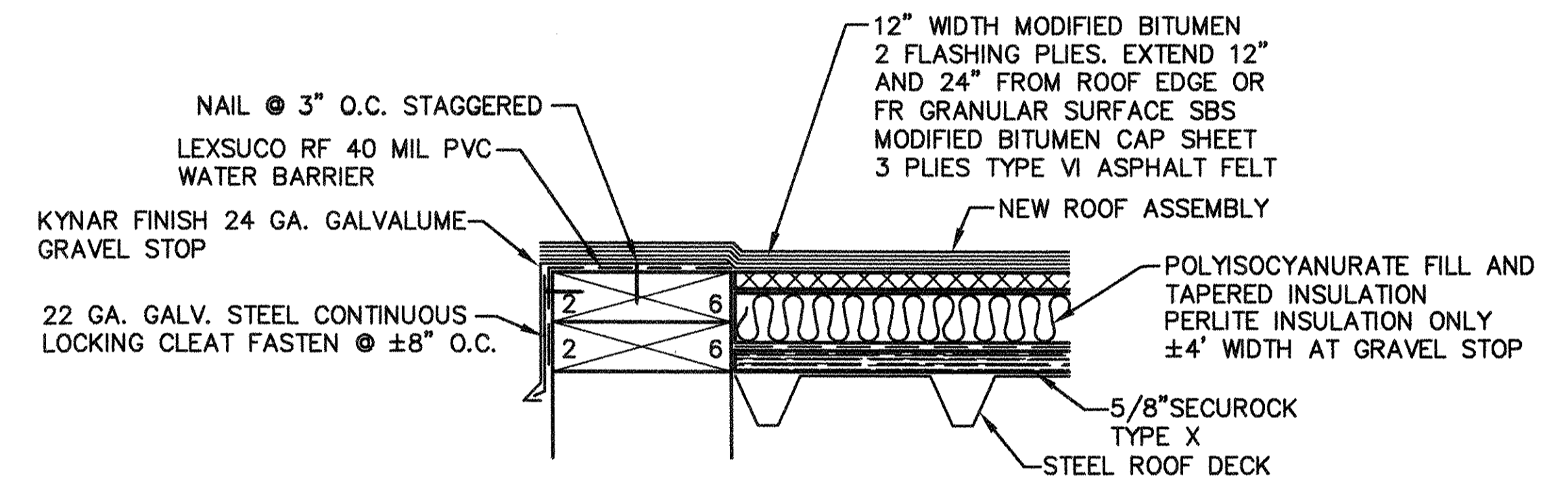
SECTION C-C
NTS



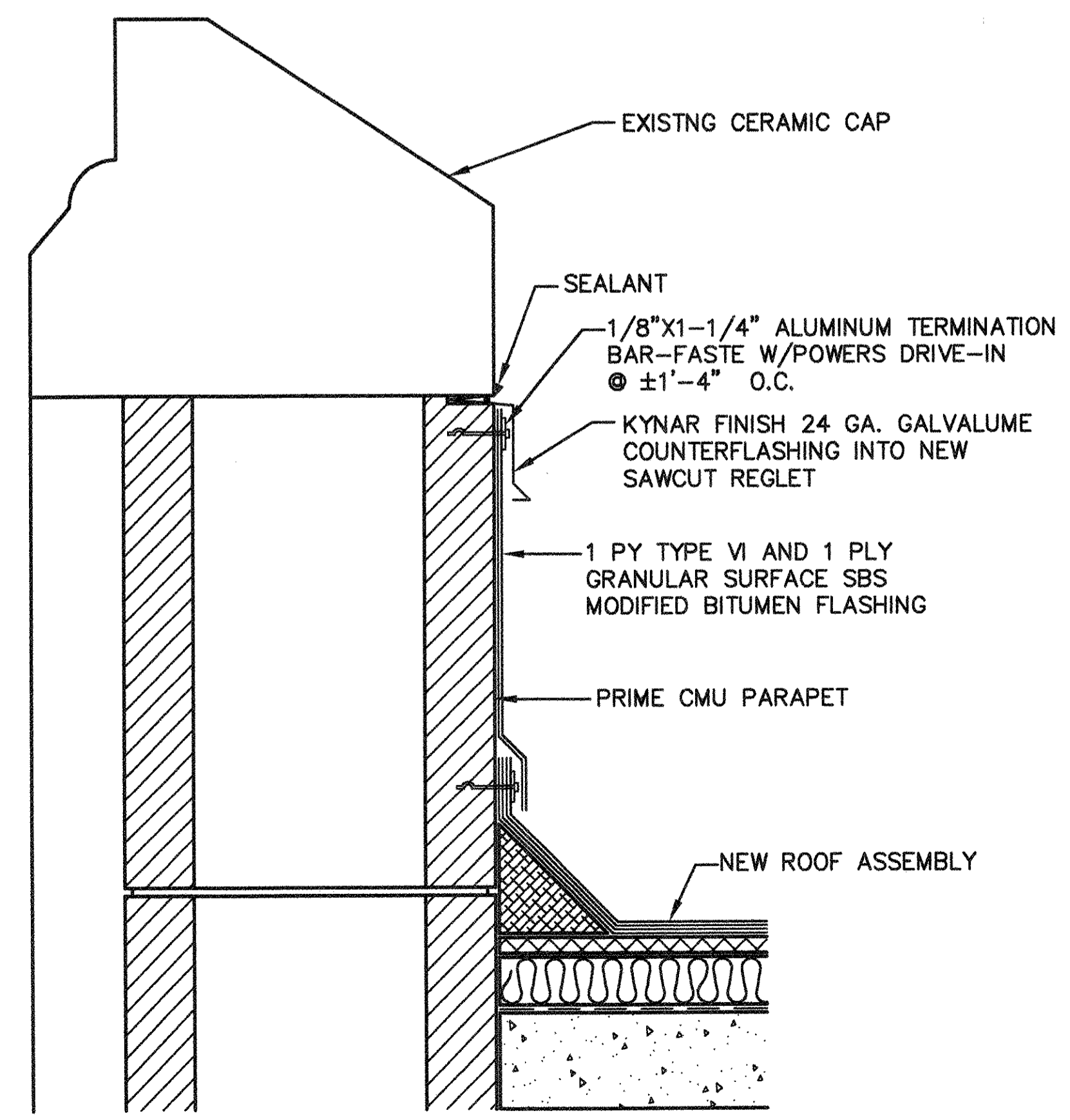
DOOR THRESHOLD DETAIL - ROOF AREA A
NTS



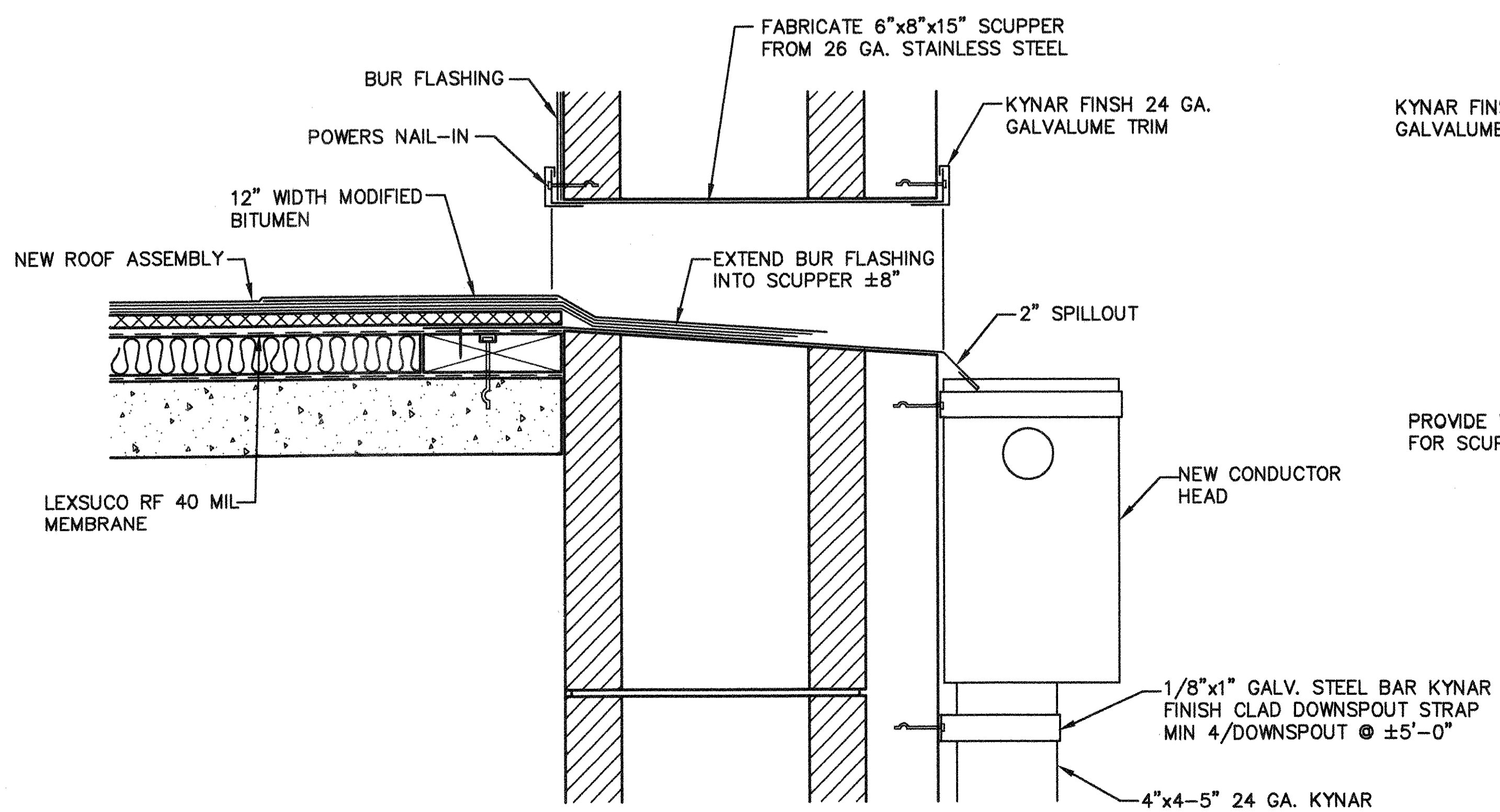
SECTION D-D
NTS



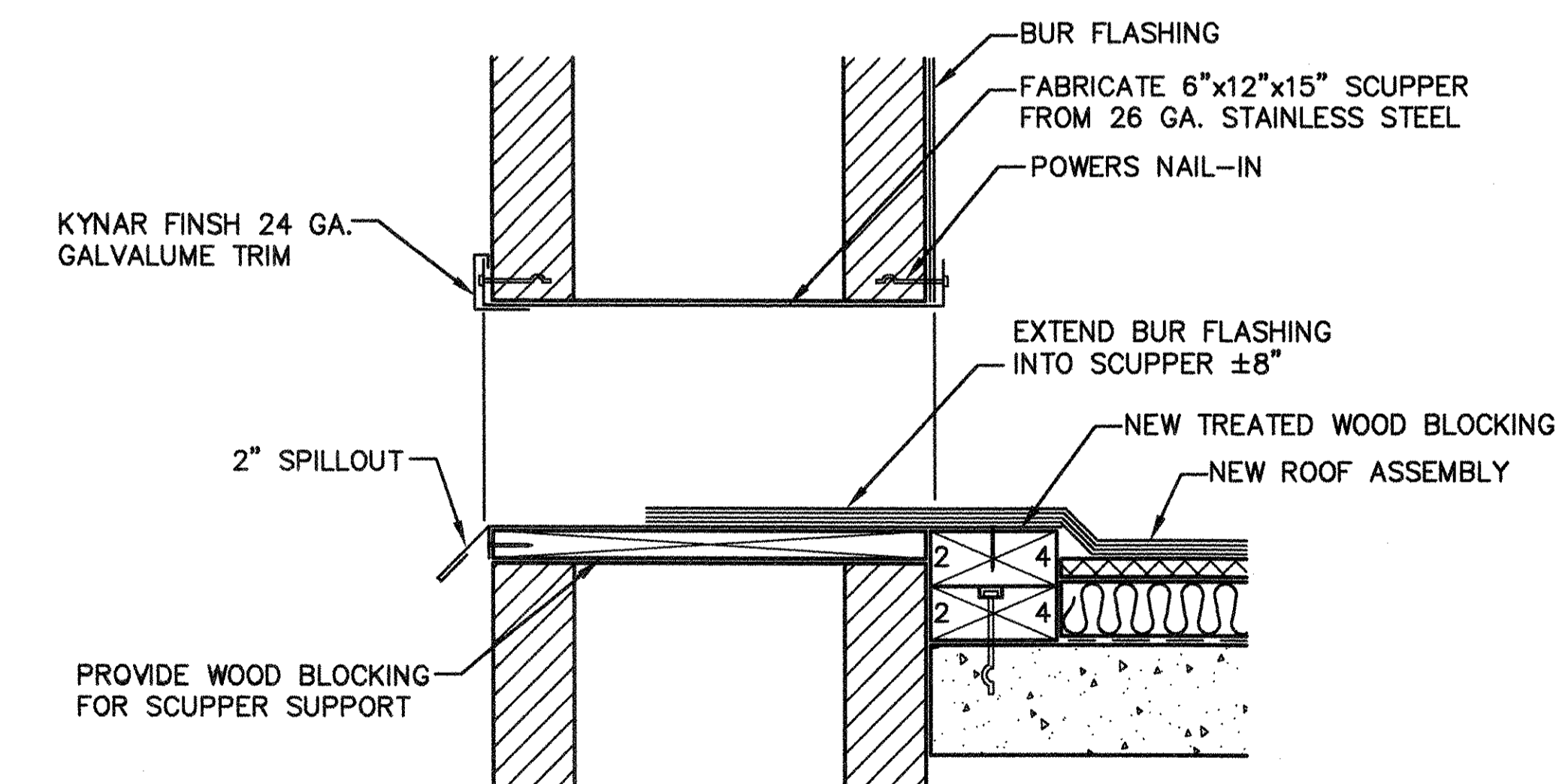
SECTION E-E
NTS



SECTION F-F
NTS

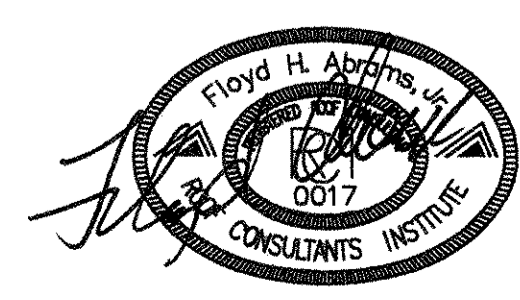


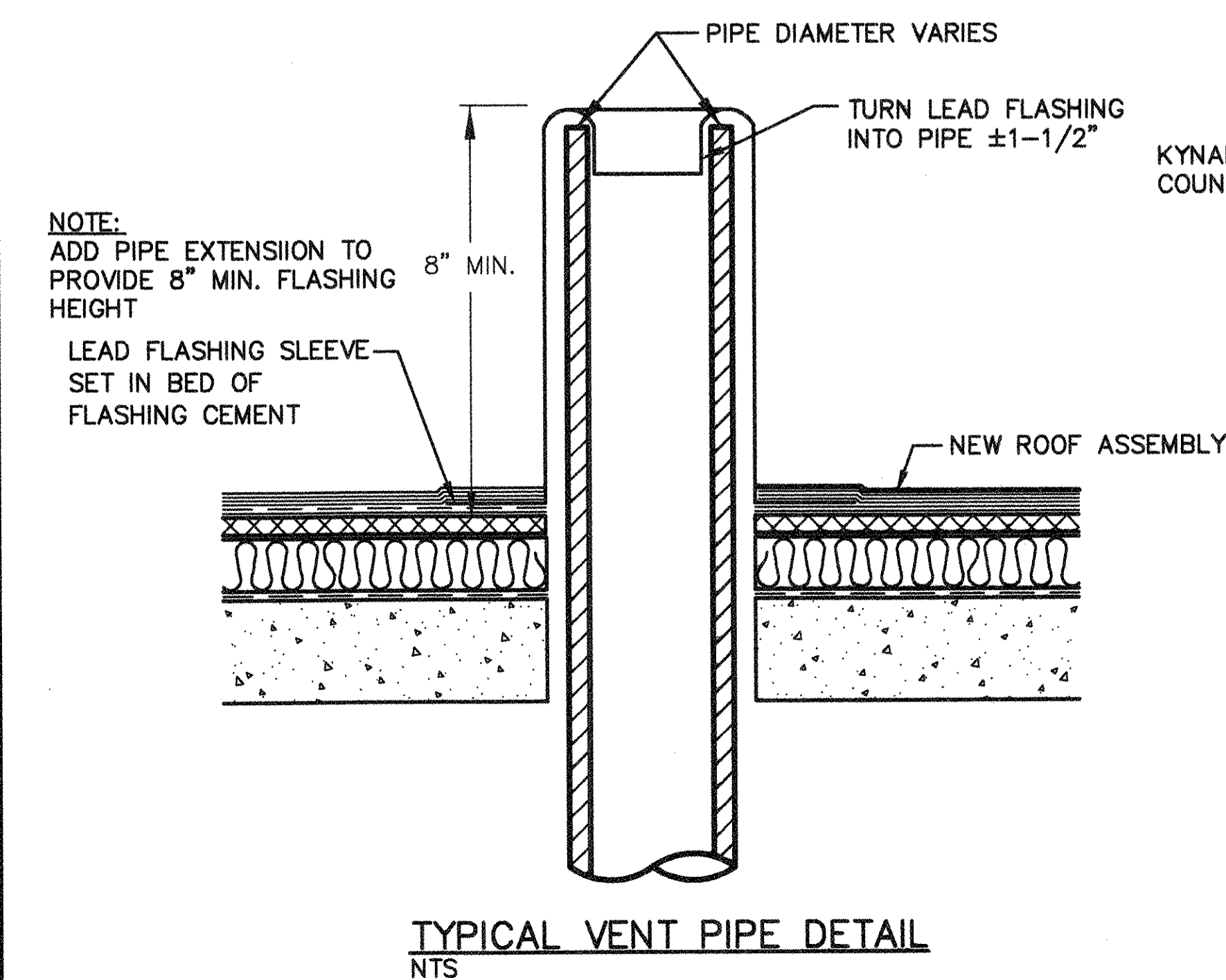
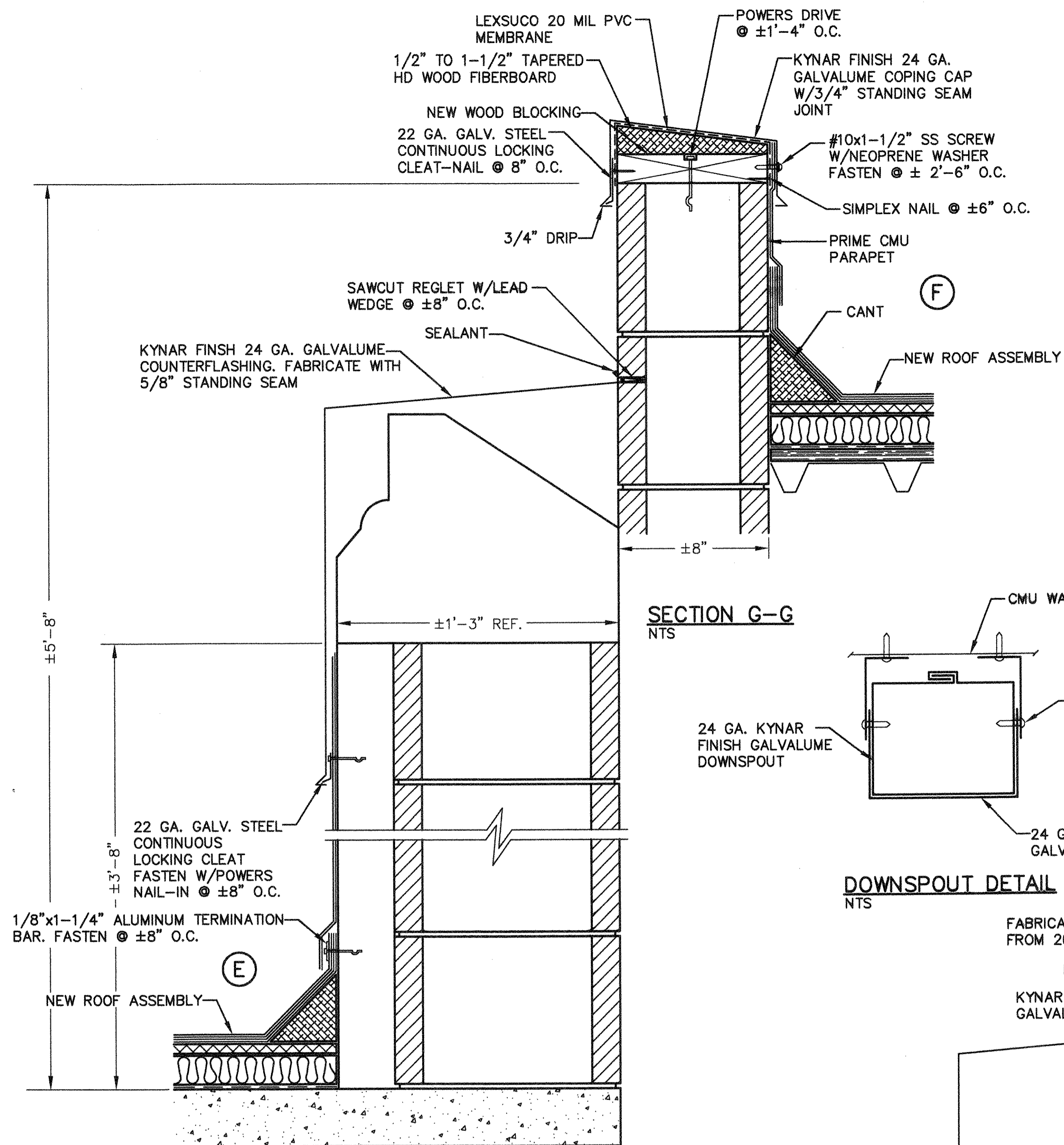
SCUPPER DETAIL-AREA E
NTS



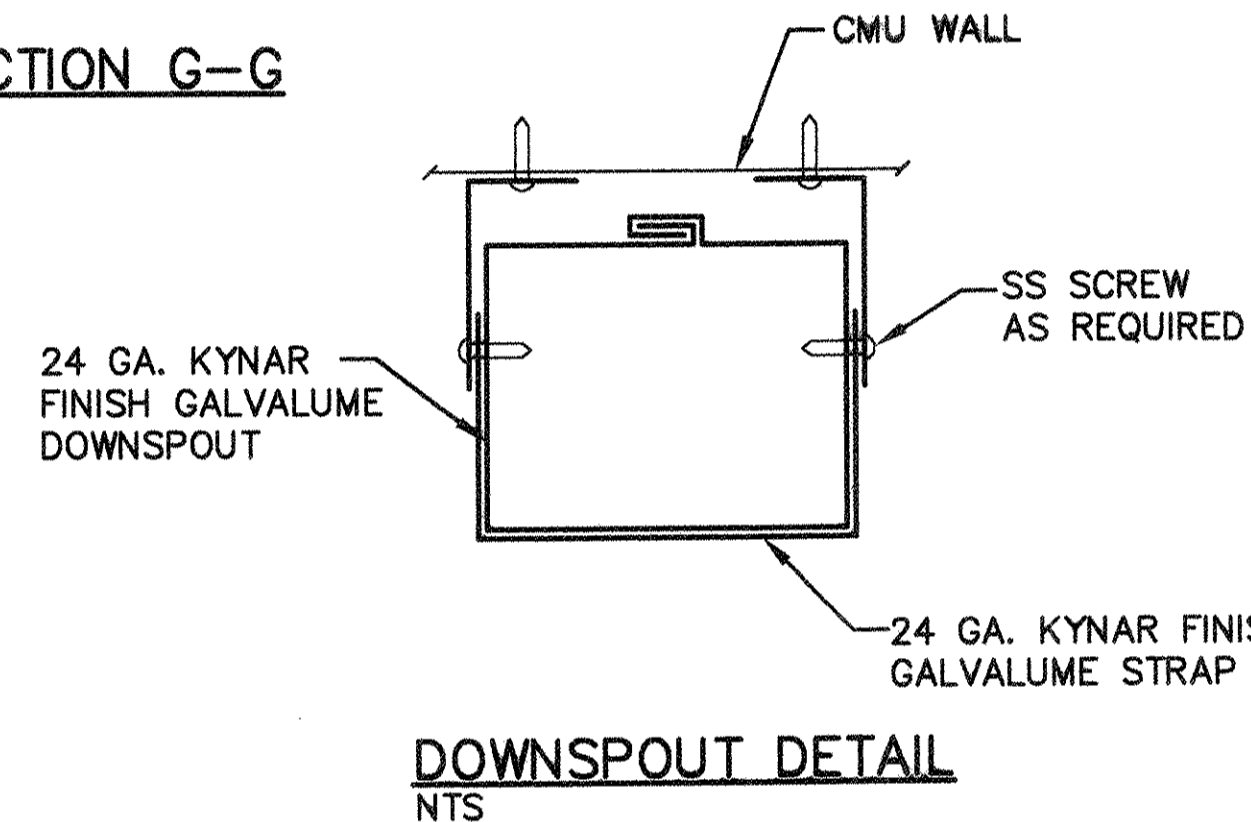
SCUPPER DETAIL-AREA A
NTS

ADDENDUM NO. 1	CONTRACT PLAN SHEET	11/8/2012
CRF DM 1600 HAMPTON ANNEX ROOF REPLACEMENT SECTIONS AND DETAILS STATE PROJECT NO. H27-D170-CA UNIVERSITY OF SOUTH CAROLINA COLUMBIA, SOUTH CAROLINA		
FLOYD ABRAMS COMPANY COLUMBIA, SOUTH CAROLINA	Roof Consulting Services	
SCALE: NTS	DRAWN BY: JDL	CHECKED BY: FA
PROJECT NO: 12.0103	DATE: 6/18/2012	SHEET R3 OF 4



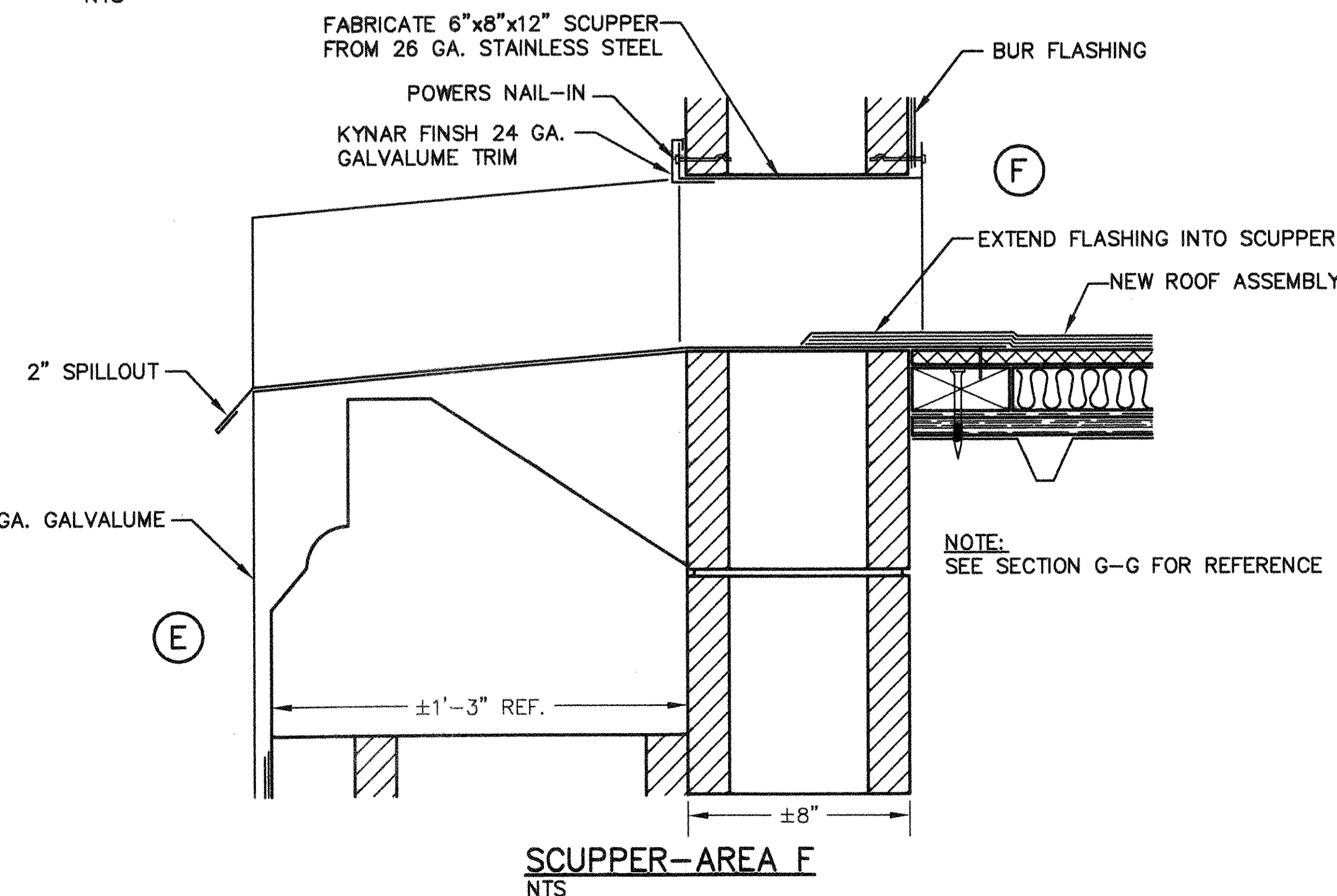


SECTION G-G
NTS

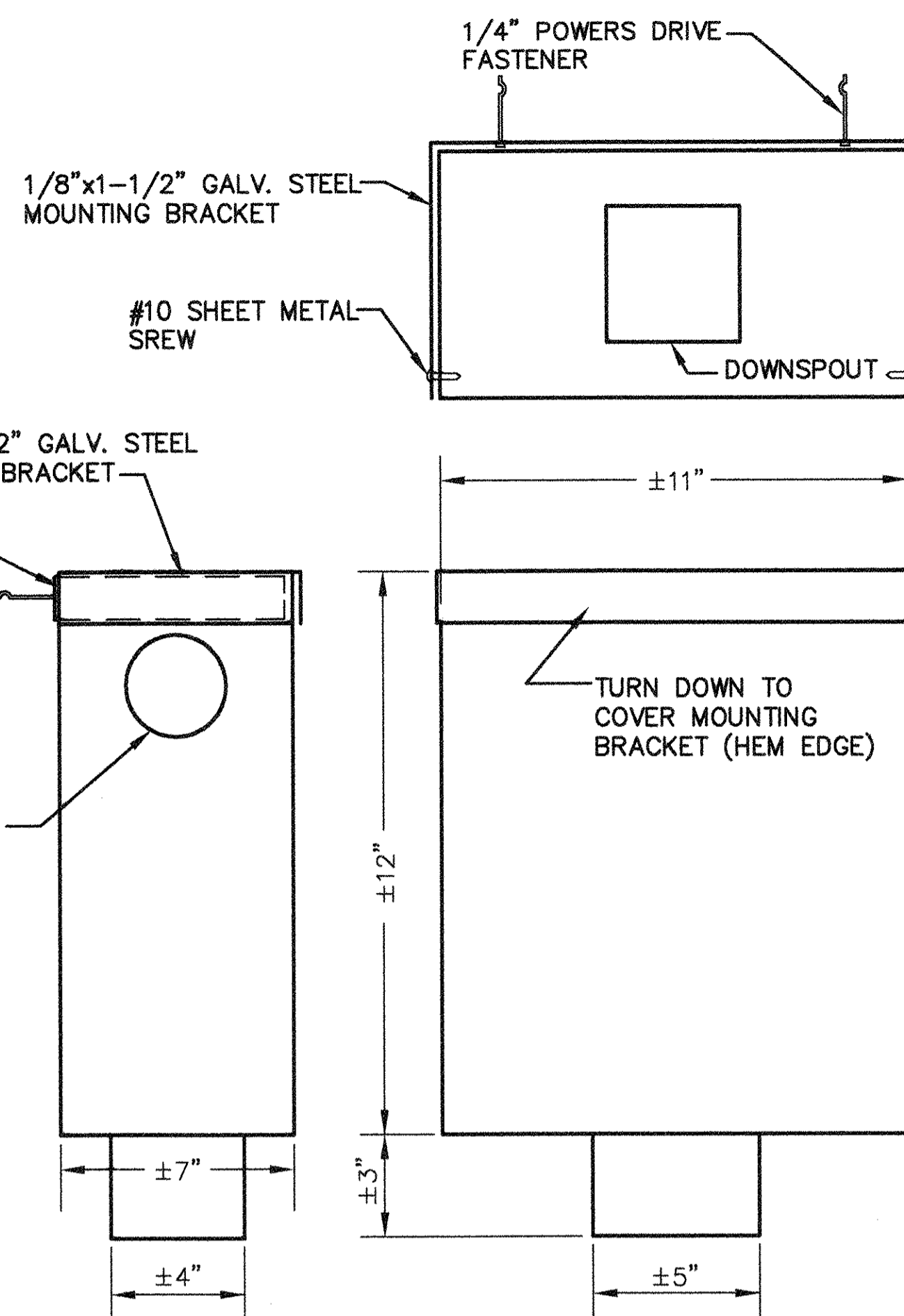


NOTES:
FABRICATE FROM KYNAR FINISH 24 GA. GALVALUME CONDUCTOR HEAD 7" Wx11" Lx12" H

CONDUCTOR HEAD DETAIL
NTS



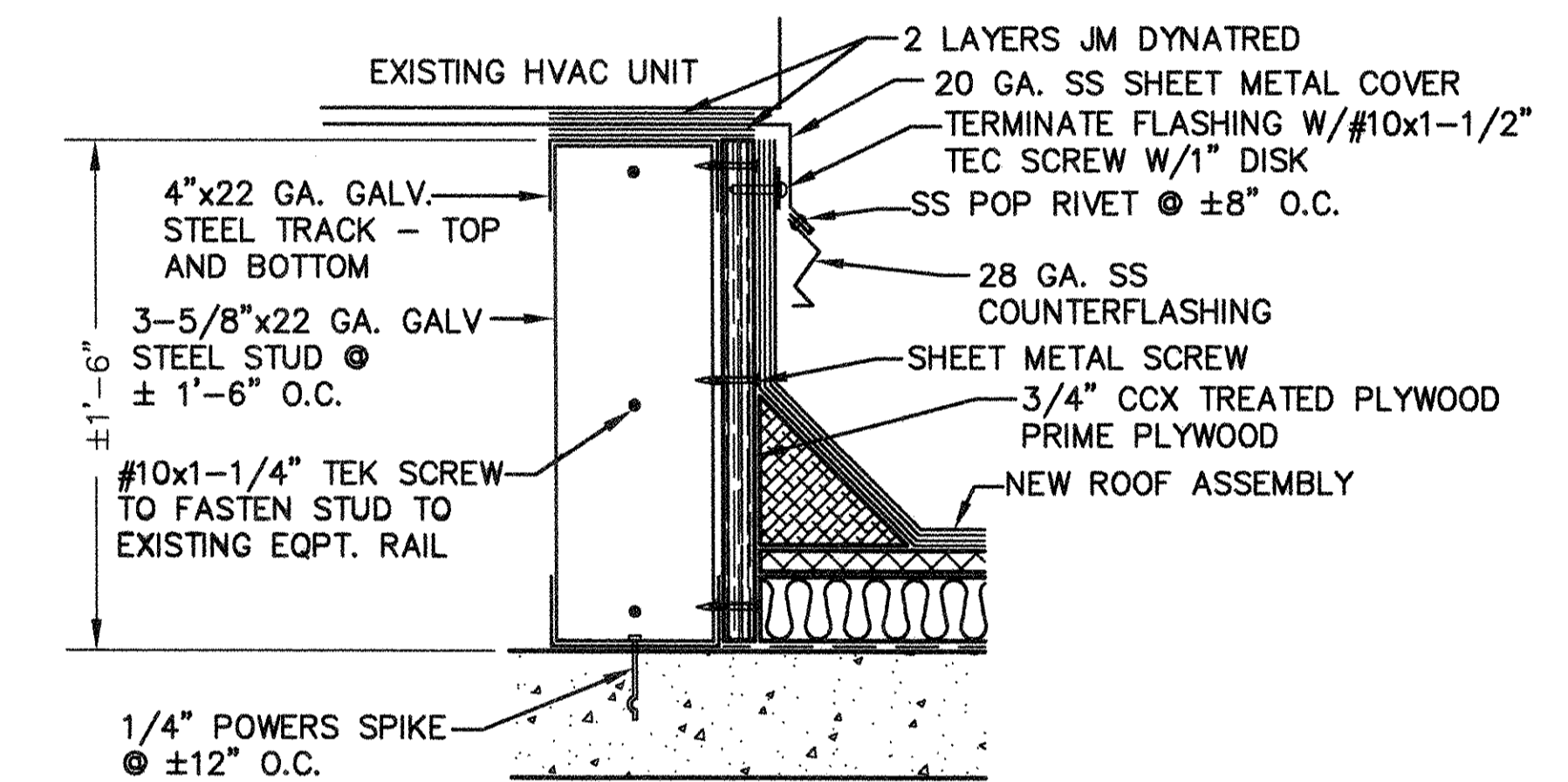
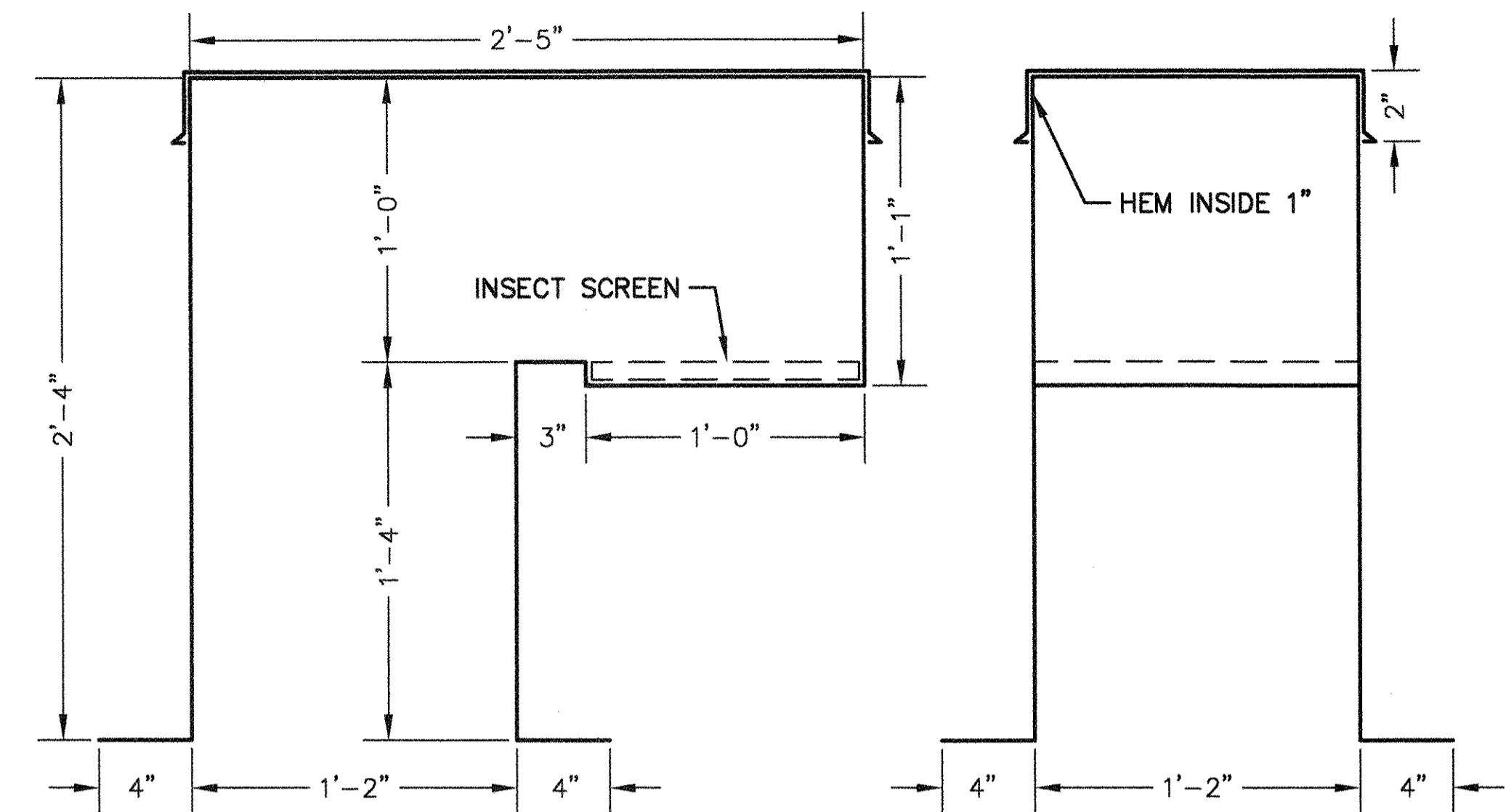
SCUPPER-AREA F
NTS



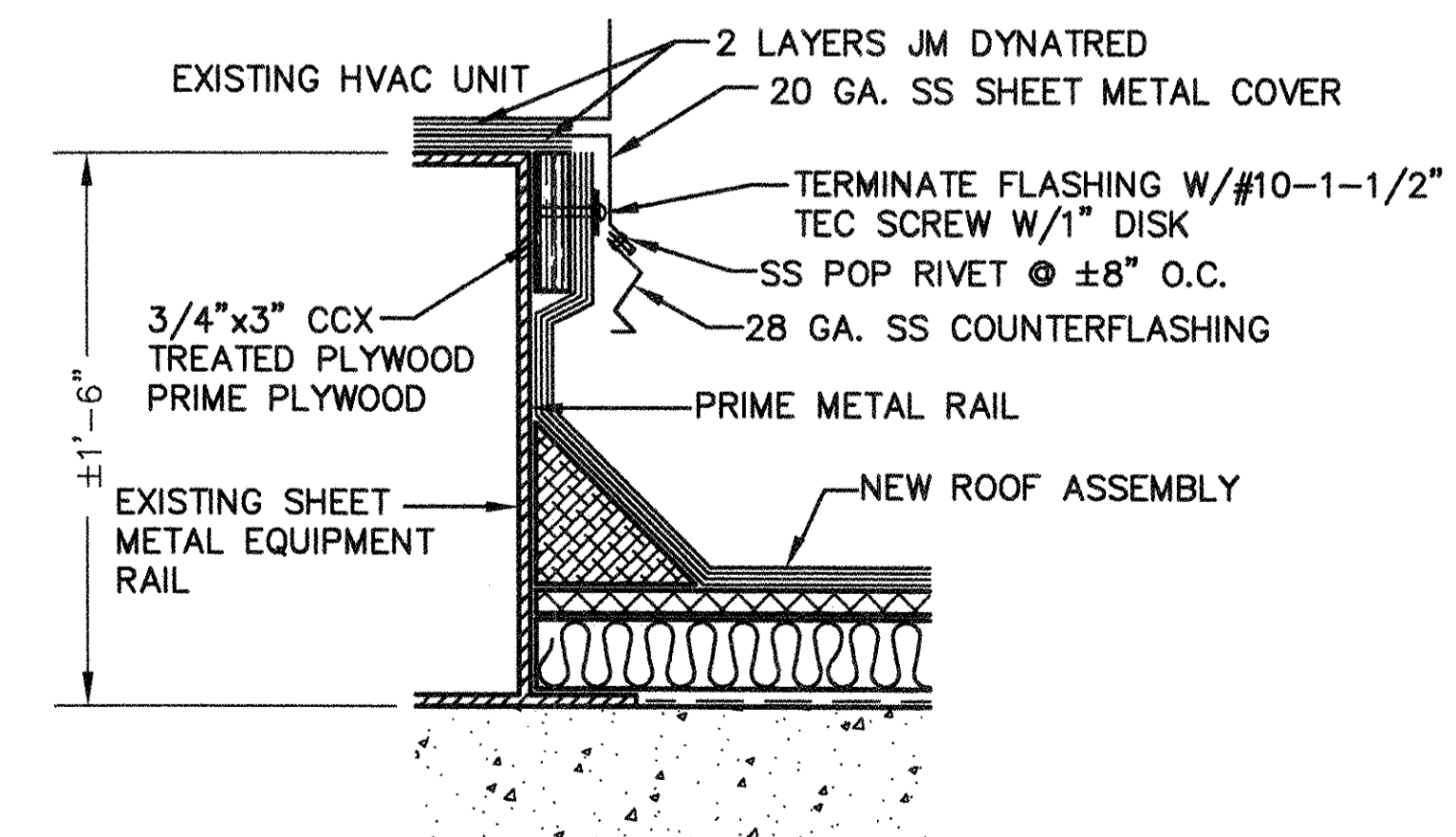
PELICAN HOOD DETAIL
NTS

NOTES:

- FABRICATE UNIT FROM 0.050 IN. MF ALUMINIUM. REMOVABLE TOP MAY BE FABRICATED FROM 0.040 IN. MF ALUMINIUM.
- HELIARC WELD ALL CORNERS, FILL CORNERS AT MOUNTING FLANGE TO ENSURE WATERTIGHT CONSTRUCTION.
- HEM ALL EXPOSED EDGES AS NOTED.
- SECURE TOP WITH TWO (2) SS SCREW AND WASHERS EACH LONG SIDE.
- SECURE MOUNTING FLANGE TO WOOD BLOCKING WITH #14 SS SCREWS @ 12" O.C.



SECTION H-H
NTS



SECTION J-J
NTS

ADDENDUM No. 1	CONTRACT PLAN SHEET	11/8/2012
CRF DM 1600 HAMPTON ANNEX ROOF REPLACEMENT SECTIONS AND DETAILS STATE PROJECT NO. H27-D170-CA UNIVERSITY OF SOUTH CAROLINA COLUMBIA, SOUTH CAROLINA		
FLOYD ABRAMS COMPANY COLUMBIA, SOUTH CAROLINA		Roof Consulting Services
SCALE: NTS	DRAWN BY: JDL	CHECKED BY: FA
PROJECT NO: 12.0103	DATE: 6/18/2012	SHEET R4 OF 4

